



GALA SYSTEMS
CREATIVE SOLUTIONS

SELF-GUIDED I-LOCK SPIRALIFT™

MECHANICALLY INTERLOCKED STAINLESS STEEL BANDS



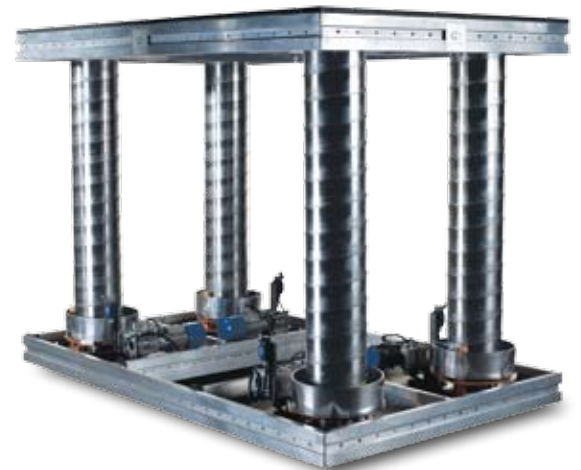
- Self guided
- Self holding
- Cost effective
- Compact
- Easy to install

SPECIFICATIONS

Self-guided I-Lock Spiralift (ILS250)

Technical Parameters*

Column Diameter	(mm)	250
External Diameter	(mm)	412
Maximum Lifting Capacity	(daN)	1335
Maximum Static Capacity	(daN)	4900
Maximum travel at full load	(mm)	1830
Maximum speed at maximum load	(m/min)	0.5**
Chain Sprocket		Single chain ANSI RS60
Lift travel per revolution	(mm)	108
Column material		Stainless Steel AISI 301
Band dimensions	(mm)	Vertical band: 1.1 x 127 approx. Horizontal band: 4 x 34 approx.
Max closed height .965 m / 1.8 m	(mm)	274 / 312



* Contact Gala to receive full technical parameters and details

** Speeds can be increased with lower dynamic capacity



Head Office
3185 First Street
Saint-Hubert (Quebec) J3Y 8Y6 CANADA
Tel.: +1 450 678-7226
Fax: +1 450 678-4060
info@galasystems.com
Toll-free (N. America only): 1 800 463-7226

www.galasystems.com

AMERICA and ASIA

Tel.: +1 760 738-5555
Fax: +1 760 738-5511
galaamerica@galasystems.com
Toll-free (N. America only): 866-647-5046

ITALY

Tel.: +39 02 43315505
Fax: +39 02 463778
galaitaly@galasystems.com